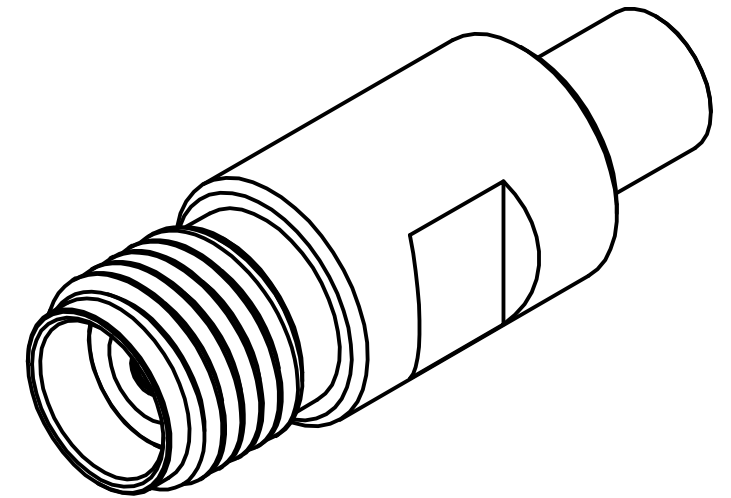
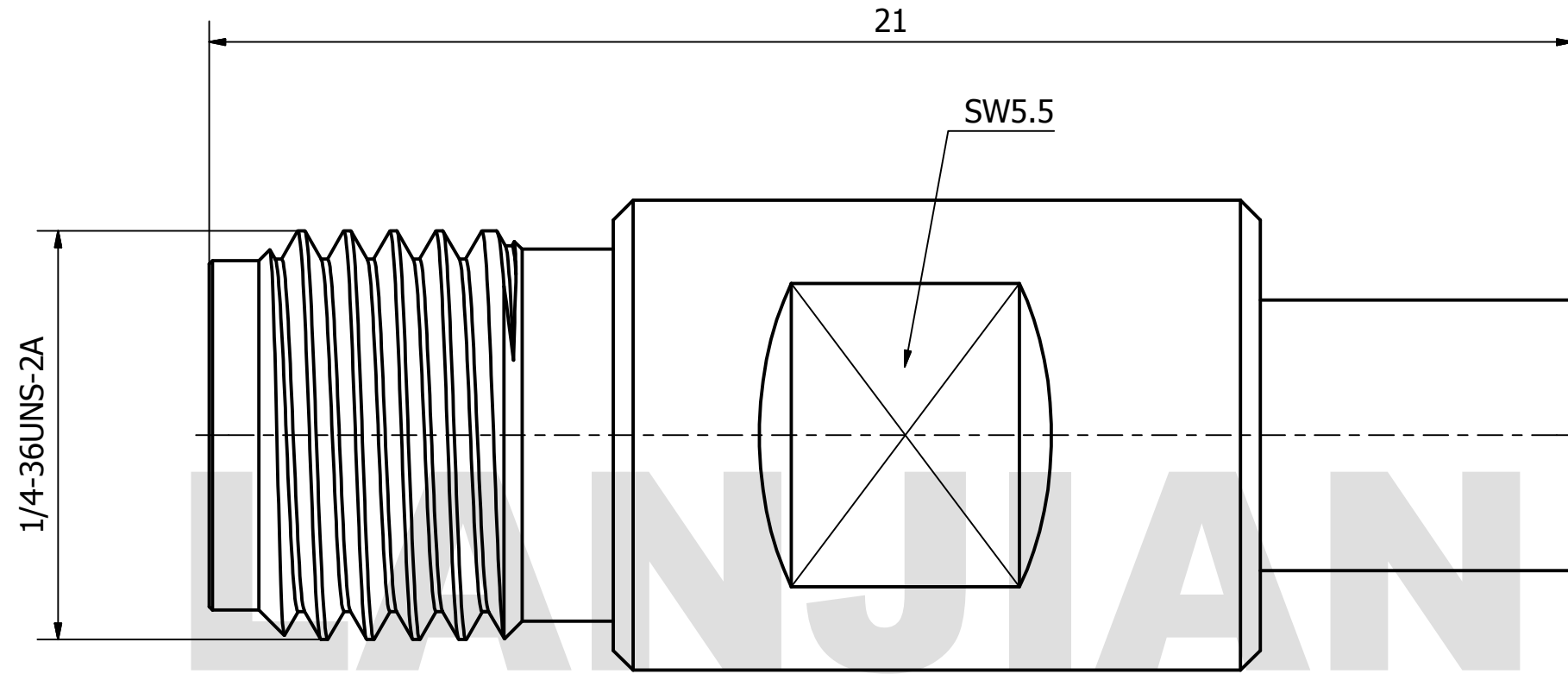


# PRODUCT DATA SHEET



**MATERIAL:**  
 BODY: STAINLESS STEEL PER AMS-5640,  
 ALLOY UNS S30300  
 CONTACT: BERYLLIUM COPPER PER ASTM B196.  
 ALLOY NO. UNS C17300  
 INSULATOR: PEI & PTFE

**PERFORMANCE:**  
 IMPEDANCE: 50 OHMS  
 FREQUENCY: DC TO 40 GHz  
 VSWR: ≤ 1.45

|  |  |        |                         |  |
|--|--|--------|-------------------------|--|
| THIS DOCUMENT CONTAINS CONFIDENTIAL AND PROPRIETARY INFORMATION THAT CANNOT BE REPRODUCED OR DIVULGED, IN WHOLE OR IN PART, WITHOUT WRITTEN AUTHORIZATION FROM "LANJIAN ELECTRONICS" | MATERIAL :                                   |        |                         | <b>LANJIAN ELECTRONICS</b><br>38 Hengtong Road, Xinqu Dingmao<br>Zhenjiang, 212009, Jiangsu, P. R. China |
|  | UNLESS OTHERWISE SPECIFIED: DIMENSIONS IN MM |        |                         |  |
|  | TOLERANCES :                                 |        |                         |  |
|  | X.X  | ± 0.20 | ANGULAR : ± 1°          | DEBURR AND<br>BREAK SHARP<br>EDGES   |
|  | X.XX   | ± 0.10 | FILLETS R/C : ± 0.10    |  |
|  | X.XXX  | ± 0.01 | SURFACE FINISH : Ra 1.6 |  |
|  |  | NAME   | DATE                    | SIGNATURE  |
|  | DRAWN  |        |                         |  |
|  | CHK'D  |        |                         |  |
|  | APPV'D                                       |        |                         |  |
| MFG  |  |        |                         |  |
| PROJECTION   |  | SIZE   | SCALE                   | DWG No.  |
|  |  | A3     | 10: 1                   | GCPZ3.640.C.011-L  |
| DO NOT SCALE THE DRAWING   |  |        |                         | REV.   |
|  |  |        |                         | PAGE<br>1 / 1  |

**LANJIAN ELECTRONICS**

38 Hengtong Road, Xinqu Dingmao  
Zhenjiang, 212009, Jiangsu, P. R. China

TITLE  
**2.92/SMP-KJ(L) straight adaptor**

DO NOT SCALE THE DRAWING